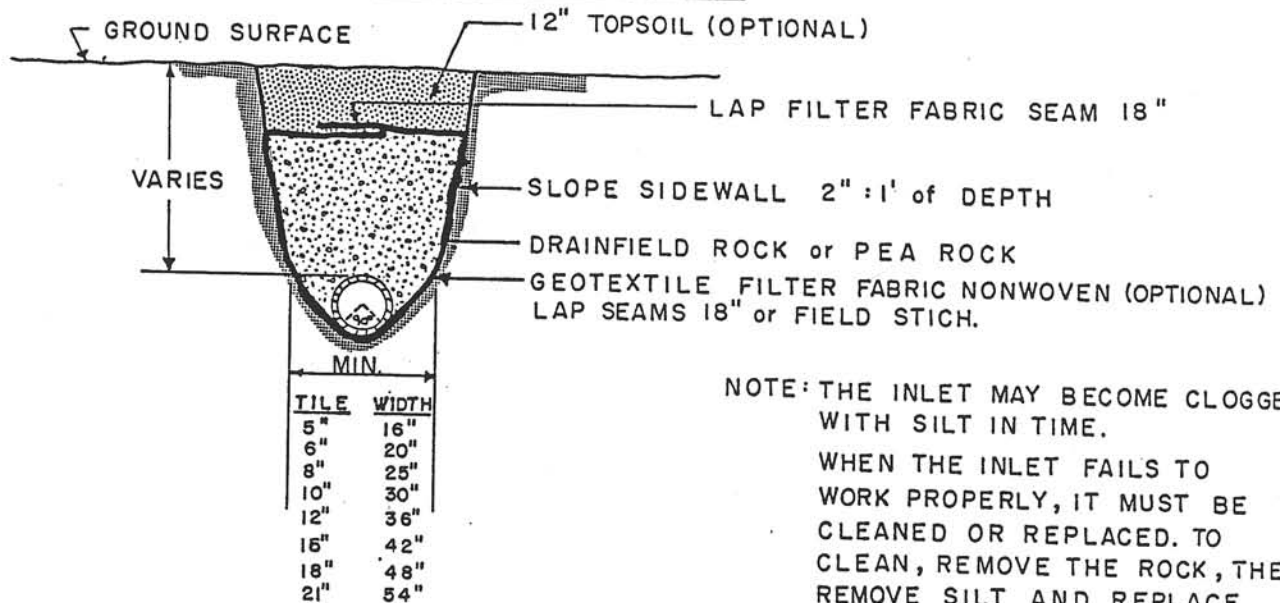
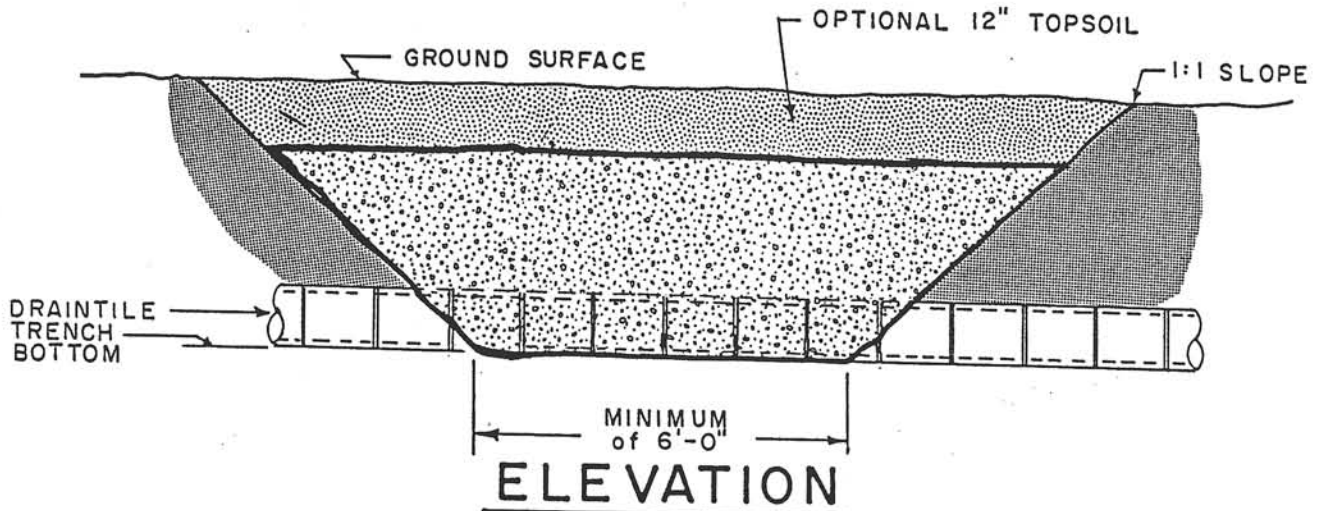


SURFACE INLET



TILE	WIDTH
5"	16"
6"	20"
8"	25"
10"	30"
12"	36"
15"	42"
18"	48"
21"	54"

CROSS SECTION

NOTE: THE INLET MAY BECOME CLOGGED WITH SILT IN TIME.

WHEN THE INLET FAILS TO WORK PROPERLY, IT MUST BE CLEANED OR REPLACED. TO CLEAN, REMOVE THE ROCK, THEN REMOVE SILT AND REPLACE THE ROCK.

USE OF FILTER FABRIC IS RECOMMENDED TO LESSEN MAINTENANCE.

NOTE: OPEN INLET WILL NOT BE ALLOWED, UNLESS SPECIFICALLY AUTHORIZED BY PERMIT.

GEOTEXTILE FABRIC SHALL BE:
 MIRAFJ 140N DRAINAGE FABRIC, AMOCO PROPEX 4545
 SOIL FILTRATION FABRIC, PHILLIPS 66 SUPAC 4NP, OR
 APPROVED EQUAL.



McCOMBS-KNUTSON ASSOCIATES, INC.
 CONSULTING ENGINEERS ■ LAND SURVEYORS ■ SITE PLANNERS
 PLYMOUTH, MINNESOTA

PLATE NO.
 BCW 1
 DRW. APPR.
 F.M. B.J.
 DATE:
 9-24-85

**BUFFALO CREEK
 WATERSHED DISTRICT**